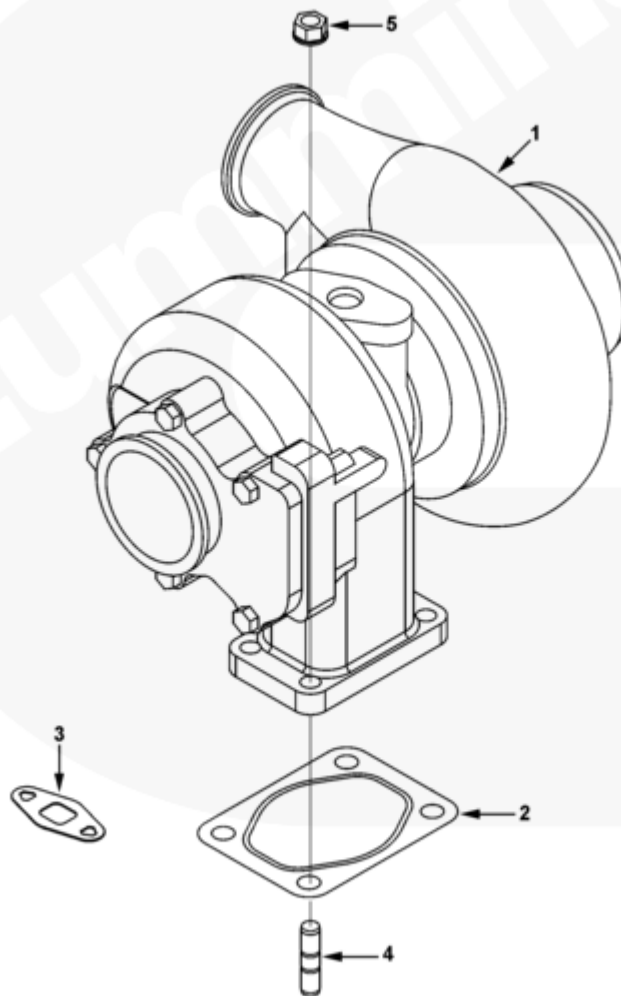




Parts Catalog - Option Detail

Electronic Parts Catalog - Option Detail				
Option	Group	Graphic	Film Card	Date
PP97944	10.05	tb952gv	Z	16-NOV-00
Engines	6C8.3, C GAS PLUS CM556, G8.3, G8.3 CM558, GTA8.3 CM558, ISC CM2150, ISC CM554, ISC CM850, ISC8.3 CM2250, ISC8.3 G CM2180 C101, ISL CM2150, ISL CM554, ISL CM850, ISL G CM2180, ISL8.9 CM2150 L110, ISL8.9 CM2880 L112, ISL9 CM2150 SN, ISL9 CM2250, ISL9 CM2350 L101, ISL9 CM2350 L111, ISLE4 CM850, L GAS PLUS CM556, L8.9, L8.9 L121, L8.9G CMOH2.0 L125B, L9 CM2350 L116B, L9 CM2350 L119B, L9 CM2350 L120C, L9 CM2350 L123B, L9.3 L105, L9.5 L117, L9N CM2380 L124B, QSC8.3 CM2250, QSC8.3 CM2880 C102, QSC8.3 CM554, QSC8.3 CM850(CM2850), QSL9 CM2250, QSL9 CM2250 L115, QSL9 CM2350 L102, QSL9 CM2350 L107, QSL9 CM2350 L118, QSL9 CM2350 L122, QSL9 CM554, QSL9 CM850(CM2850), QSL9 G CM558, QSL9 M CM2250 L106, QSL9.3 CM2880 L113			



tb952gv

[SMALL](#) | [MEDIUM](#) | [LARGE](#)

Cart	Ref No	Part Number	Part Description	Required	Remarks
View My Cart					
		PP97944	Turbocharger		
					Engine Family: C Series
					Exhaust Outlet Location:
					HMFO
					Base ID17 Turbocharger:
					3595507
					Turbocharger Type: Non-
					wastegate
					Turbo Model: HX40
					Fixed Compressor Outlet
					Orientation (deg): 20
					Compressor Angle (shipping
					deg): 200
					Turbine Angle (deg): 0
					Compression Brake Capable:
					No
					Engine Cylinders: 6
					Engine Aspiration:
					Turbocharged
					HX40 for 6 CT-G2 and 6 CT-G2
					Ratings (Same Outline as
					Wastegated Turbo)
					Attitudes: C - 200 Degrees t
					C - 200 Degrees
					T - 0 Degrees
					CRR - 320 Degrees
					HX40-I8284 t/FA17 cc8
					for 6 CT-G2 and 6 CTA-G2

					ratings (same outline as
					wastegated turbocharger).
<input type="checkbox"/>		3990066	Turbocharger Kit	1	
<input type="checkbox"/>	1	3595507	Turbocharger	1	Sold In Higher Level Assy/Kit
<input type="checkbox"/>	2	3072919	Turbocharger Gasket	1	
	3	3937706	Oil Drain Gasket	1	
<input type="checkbox"/>	4	3818823	Double End Plain Stud	4	
<input type="checkbox"/>	5	3818824	Hexagon Flange Nut	4	M10 X 1.50.

© 2019 Cummins Inc., Box 3005, Columbus, IN 47202-3005 U.S.A.
Terms of Use and Disclaimers | Recommended System Requirements
Need Assistance? Please click on the Contact Us button in the top right corner of any page.